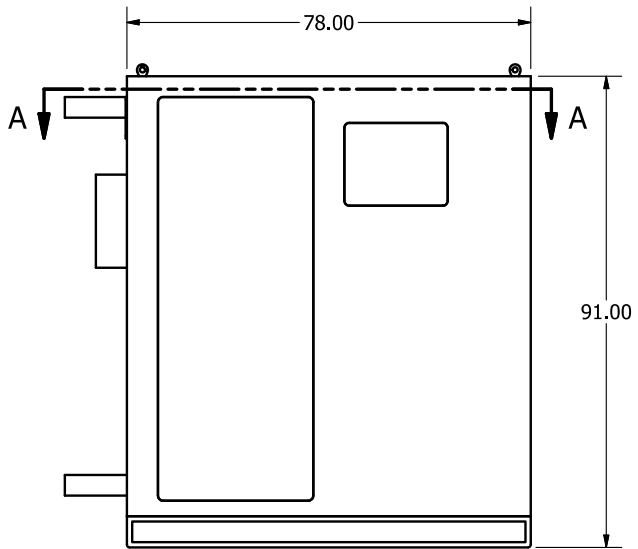
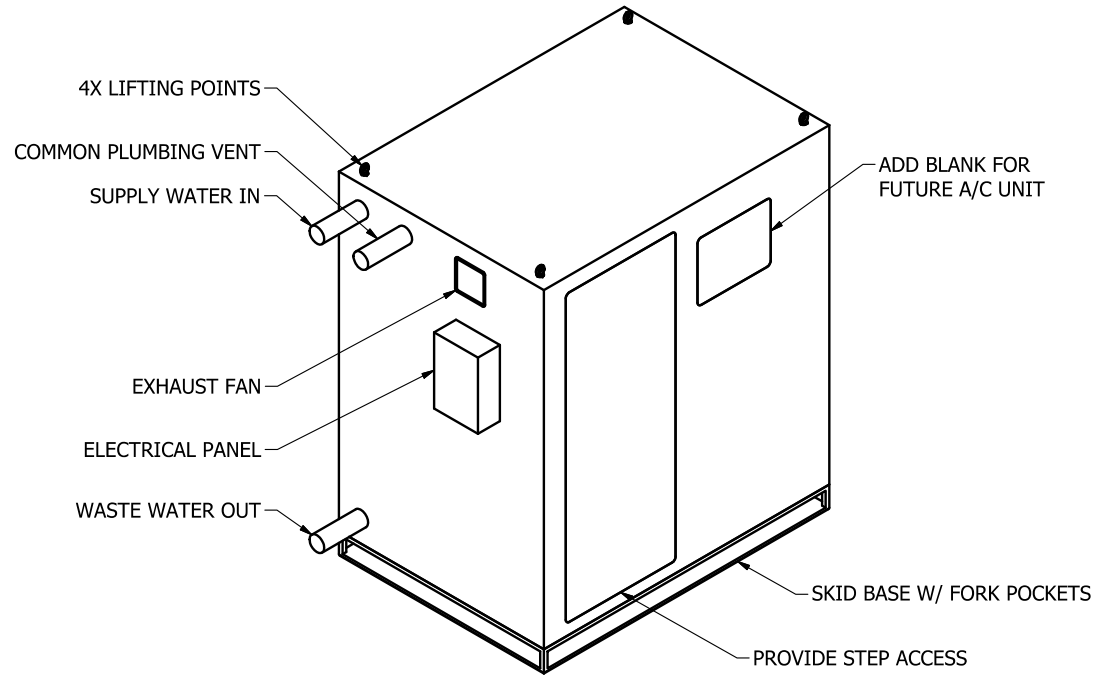


SECTION A-A

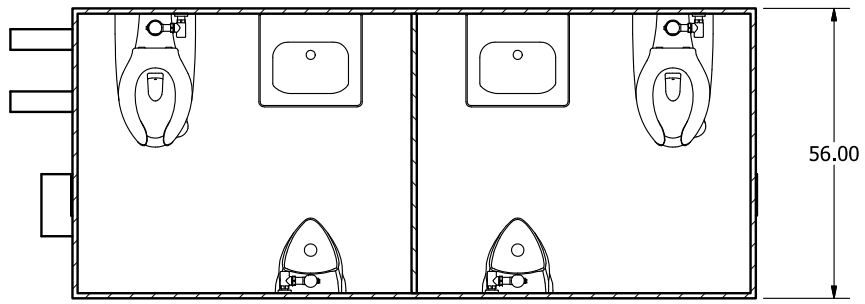


ROSS CAMPUS RESTROOM- UNIT 1

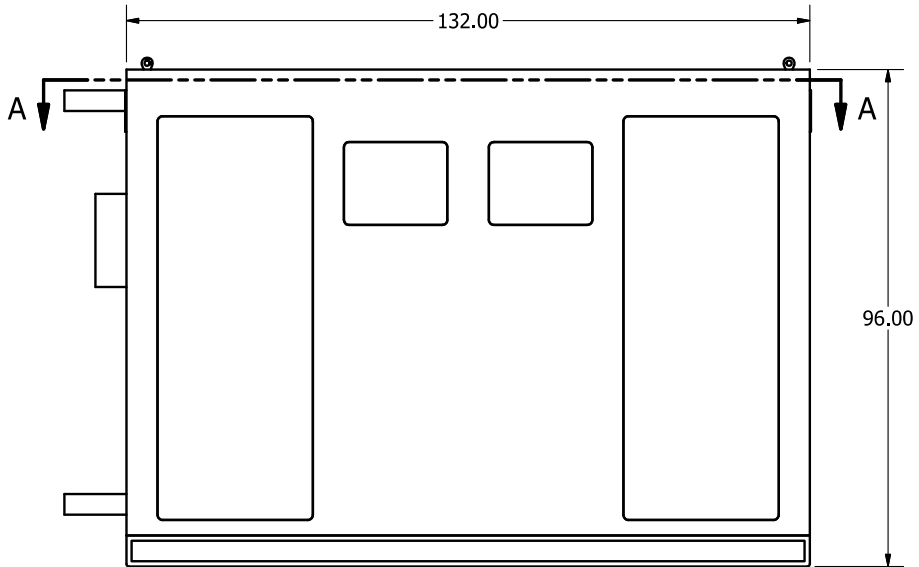
- MAX DIMENSIONS: 132" L X 56" W X 96" H
- SUPPLY AND WASTE WATER ARE TO DISCHARGE ON SIDE OF BUILDING
- ELECTRICAL PANEL TO BE LOCATED ON SIDE OF BUILDING
- LIFTING POINTS REQUIRED
- SKID WITH FORK POCKETS REQUIRED



PICTORIAL VIEW

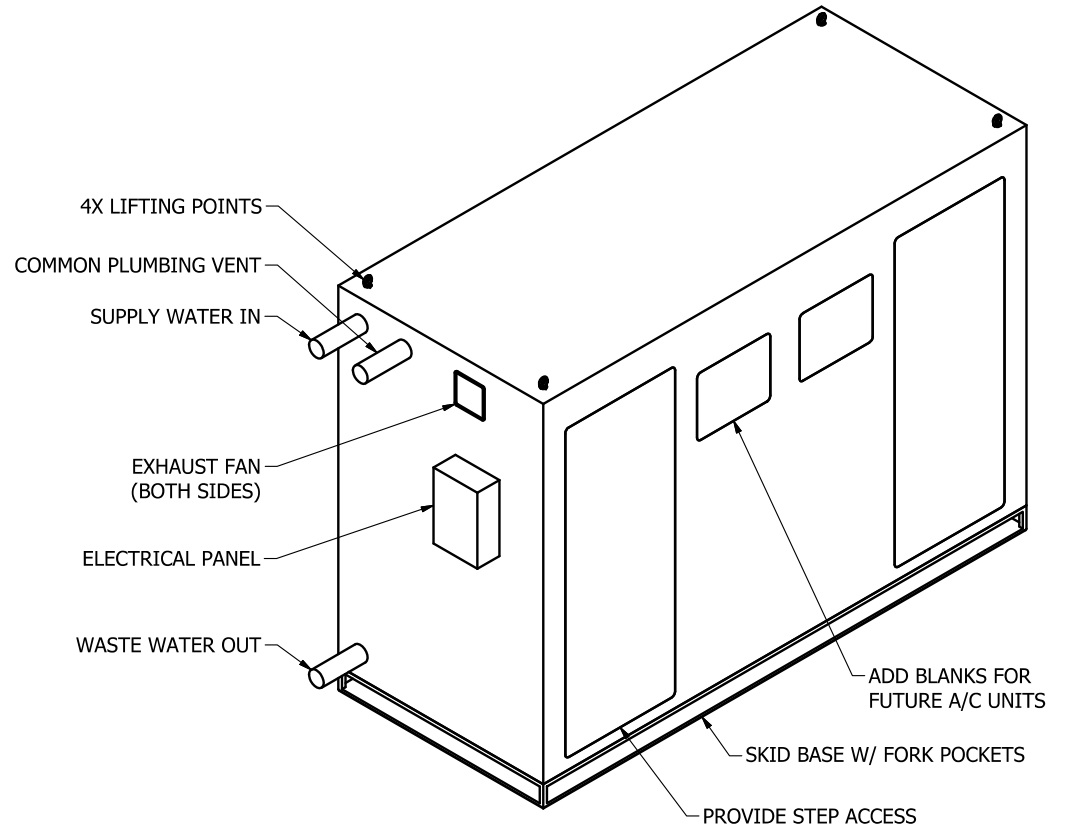


SECTION A-A



ROSS CAMPUS RESTROOM- DOUBLE UNIT

- MAX DIMENSIONS: 132" L X 56" W X 96" H
- SUPPLY AND WASTE WATER ARE TO DISCHARGE ON SIDE OF BUILDING
- ELECTRICAL PANEL TO BE LOCATED ON SIDE OF BUILDING
- LIFTING POINTS REQUIRED
- SKID WITH FORK POCKETS REQUIRED



PICTORIAL VIEW